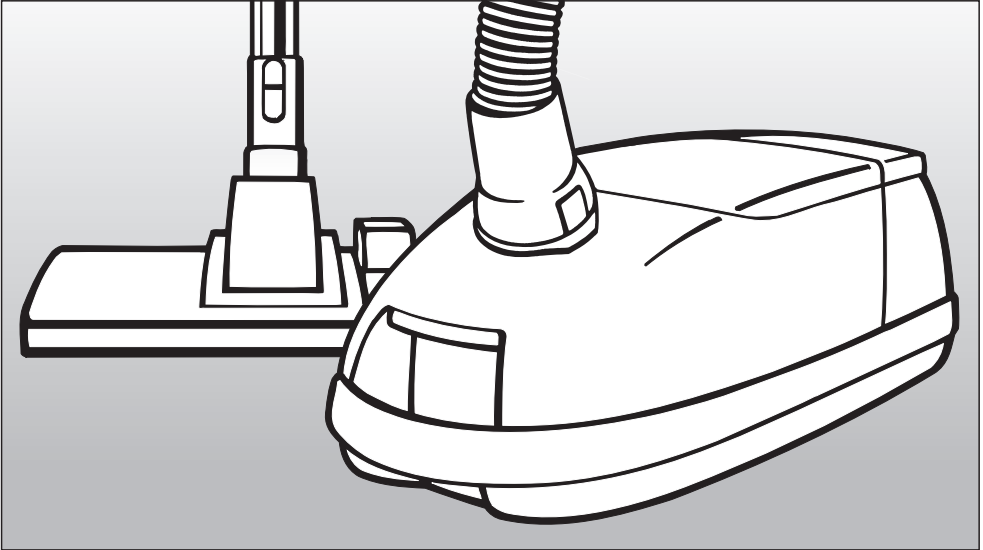


## Operating instructions



## Vacuum cleaners S 700 series

To avoid the risk of accidents or damage to the appliance, it is **essential** to read these instructions before using it for the first time.

These operating instructions apply to standard models S 710 - S 718 and to Special Edition models which are distinguished by names rather than model numbers.

en - GB

# Contents

---

<b>Caring for the environment</b> . . . . .	3
<b>Description of the appliance</b> . . . . .	4
<b>Warning and Safety instructions</b> . . . . .	6
<b>Preparing for use</b> . . . . .	10
<b>Accessories supplied</b> . . . . .	13
<b>Using the accessories supplied</b> . . . . .	14
<b>Use</b> . . . . .	16
Mains cable . . . . .	16
Switching on and off . . . . .	16
Adjusting the suction power . . . . .	17
Opening the air inlet valve . . . . .	17
<b>Setting down, transportation and storage</b> . . . . .	18
<b>Maintenance and care</b> . . . . .	19
Purchasing new dustbags and filters . . . . .	19
Ordering the correct dustbags and filters . . . . .	19
When to change the dustbag . . . . .	20
Replacing the dustbag . . . . .	21
When to change the exhaust filter . . . . .	22
Replacing the Super Air Clean filter . . . . .	23
Replacing an Active Air Clean filter or an Active HEPA filter . . . . .	24
When to change the dust compartment filter (for motor protection) . . . . .	25
How to change the dust compartment filter . . . . .	25
When to change the thread lifters . . . . .	26
To replace the thread lifters . . . . .	26
<b>Cleaning and care</b> . . . . .	27
<b>Problem solving guide / After sales service</b> . . . . .	28
<b>Optional accessories</b> . . . . .	29
<b>Electrical connection for the UK</b> . . . . .	35

### Disposal of packing material

The transport and protective packing has been selected from materials which are environmentally friendly for disposal and can normally be recycled.

Ensure that any plastic, wrappings, bags etc. are disposed of safely and kept out of the reach of babies and young children. Danger of suffocation.

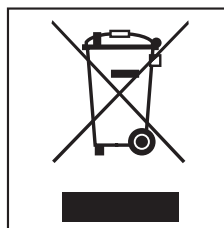
Rather than just throwing these materials away, please recycle them.

### Disposing of the dustbag and filters

These are made from environmentally friendly materials, and can be disposed of with the normal household waste, as long as they have been used exclusively for general household dust.

### Disposal of your old appliance

Electrical and electronic appliances often contain materials which, if handled or disposed of incorrectly, could be potentially hazardous to human health and to the environment. They are, however, essential for the correct functioning of your appliance. Please do not therefore dispose of it with your household waste.



Please dispose of it at your local community waste collection / recycling centre or ask your Dealer for advice. Ensure that it presents no danger to children while being stored for disposal.

## Description of the appliance



## Description of the appliance

---

- ① Hand piece
- ② Air inlet valve
- ③ Release button
- ④ Telescopic suction tube\*
- ⑤ Telescopic tube release button\*
- ⑥ Dust compartment release button
- ⑦ Dust compartment filter (for motor protection)
- ⑧ Dustbag
- ⑨ Standard floorhead
- ⑩ Carrying handle
- ⑪ Parking attachment
- ⑫ Exhaust filter\*
- ⑬ Mains cable
- ⑭ Foot control for automatic cable rewind
- ⑮ Suction power selector\*
- ⑯ Parking system
- ⑰ On/Off switch
- ⑱ Accessories compartment
- ⑲ Dustbag change indicator
- ⑳ Release button for accessories compartment
- ㉑ Hose connector
- ㉒ Suction hose

The illustration shows the maximum number of features available on these Miele vacuum cleaners.

Features marked \* depend on the model, and may vary or not be available on your model.

# Warning and Safety instructions

---

This vacuum cleaner meets statutory safety requirements. Improper use can, however, lead to personal injury and material damage.

To avoid the risk of accidents and damage to the vacuum cleaner, read these instructions carefully before using it for the first time. They contain important notes on its safety, operation and maintenance.

Keep these instructions in a safe place and ensure new users are familiar with the content. Pass them on to any future owner.

Always disconnect the vacuum cleaner from the mains supply when you have finished using it, as well as for maintenance work and cleaning. Switch it off at the wall socket and unplug it. If using the ACCU NOVA powerbrush, switch this off as well.

## Correct application

► This vacuum cleaner must only be used for domestic household purposes to vacuum dry floor surfaces. Do not use on people or animals.

Any other usage, modification or alteration is at the owner's risk and could be dangerous.

The manufacturer cannot be held liable for damage resulting from improper or incorrect use of the appliance.

► This appliance is not intended for use by persons (including children) with reduced physical, sensory or mental capabilities, or lack of experience or knowledge, unless they are supervised whilst using it or have been shown how to use it correctly by a person responsible for their safety.

## Safety with children

► This vacuum cleaner is not a toy! To avoid the risk of injury, keep children well away, and do not allow them to play with it or to use the controls. Supervise children whilst you are using it.

► Older children may only use the vacuum cleaner if its operation has been clearly explained to them, and they are able to use it safely, recognising the dangers of incorrect use.

► Models with radio controls on the handle: Keep batteries out of the reach of children.

# Warning and Safety instructions

---

## Technical safety

▶ Ensure that the connection data on the data plate (voltage and frequency) match the mains electricity supply. It is essential that they match to avoid damage to the appliance.

▶ The plug must be fitted with a 13 A fuse (UK).

▶ Before using the vacuum cleaner, check for any signs of damage. Do not use a damaged appliance: it could be dangerous.

▶ There is a metal inlay underneath the handle which is designed to avoid the unpleasant effects of electrostatic discharges. Please make sure that you keep your hand in constant contact with this metal strip during vacuuming.

▶ Do not pull or carry the vacuum cleaner by the cable and be careful not to damage the cable when withdrawing the plug from the socket.

- Keep the cable away from sharp edges and do not let it be squashed, for example, under a door.
- Avoid running the vacuum cleaner over the cable.

This could damage the cable, plug or socket and pose a safety hazard. The appliance must not be used if any of these have suffered damage.

▶ If the cable is damaged it must be replaced together with a complete cable rewind. For safety reasons this must only be done by the Miele Service Department or a Miele authorised service technician.

▶ While the vacuum cleaner is under guarantee, repairs should only be undertaken by a service technician authorised by Miele. Otherwise the guarantee will be invalidated.

▶ Repairs should only be carried out by a Miele authorised service technician. Repairs and other work by unqualified persons could be dangerous. The manufacturer cannot be held liable for unauthorised work.

▶ It is important to switch the vacuum cleaner off before changing over accessories and floorheads, especially an Electro- or Turbobrush.

▶ Do not let the vacuum cleaner get wet. Clean only with a dry cloth or slightly damp cloth when disconnected from the mains supply. If moisture gets into the appliance, there is a risk of electric shock.

# Warning and Safety instructions

---

## Correct use

▶ To avoid the risk of damage, do not use the vacuum cleaner without the dustbag, dust compartment filter and exhaust filter in place. Otherwise it could get damaged.

▶ If a dustbag is not inserted, the dust compartment cover does not normally close. Do not force it.

▶ Do not vacuum up any water, liquid or damp dirt. This will cause major faults and could seriously impair the functioning and electrical safety of the appliance. Wait until any freshly cleaned or shampooed carpets or floor coverings are completely dry before attempting to vacuum.

▶ Do not vacuum toner dust. Toner, such as that used in printers and photocopiers, can conduct electricity. The filter system in the vacuum cleaner may not filter it completely, causing the toner to be blown back into the room by the fan.

▶ Do not vacuum up anything which has been burning or is still glowing e.g. cigarettes, ashes or coal, whether glowing or apparently extinguished. The cleaner might catch fire.

▶ Do not vacuum up any inflammable or combustible liquids or gases and do not vacuum in areas where such substances are stored. The cleaner might explode.

▶ Do not vacuum up items which are heavy, hard or have sharp edges. They could cause a blockage and damage the appliance.

▶ Floor attachments, accessories and tubes must not be used at head level to avoid the risk of injury, e.g. to eyes and ears.

▶ Monitor the change dustbag indicator and change the dustbag if necessary. Check the exhaust and dust compartment filters at the same time and change them too if necessary. A full bag or blocked filter will reduce the suction power of the cleaner. A temperature limiter switches the vacuum cleaner off automatically if it gets too hot. See "Problem solving guide".

▶ Important information on the handling of batteries (for models with radio controls on the handle):

- Do not use rechargeable batteries.
- Do not short circuit or recharge batteries, or throw them into a fire. Danger of explosion.
- Disposing of batteries: Remove the batteries from the radio control handle and dispose of them in your recycling bin. Do not dispose of them with the normal household waste.



## Accessories

Miele accessories including floorheads, filters and dustbags are available to order from your Miele retailer, the Miele Spare Parts Department or via the internet on [www.miele-shop.com](http://www.miele-shop.com).

▶ To avoid the risk of injury when vacuuming with a Miele Electrobrush or Turbobrush, do not touch the rotating roller brush.

▶ It is not advisable to vacuum directly with the handle, i.e. without an accessory attached as the rim could get damaged and you could hurt yourself on sharp edges.

▶ Miele vacuum cleaner bags are disposable and intended to be used only once. Do not attempt to re-use. Blocked pores reduce the efficiency of the cleaner.

▶ To ensure safety only use genuine Miele dustbags, filters and accessories. This will ensure optimum performance of the appliance throughout its life.

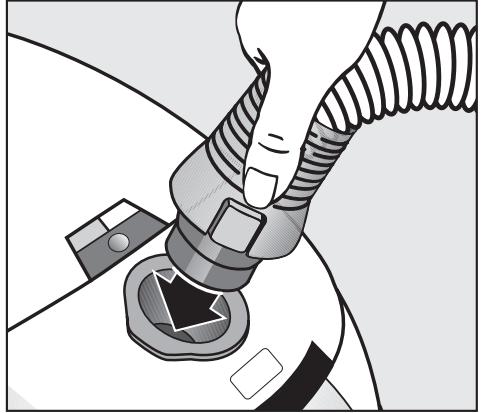
The manufacturer cannot be held liable for damage caused by non-compliance with these Warning and Safety instructions.

# Preparing for use

---

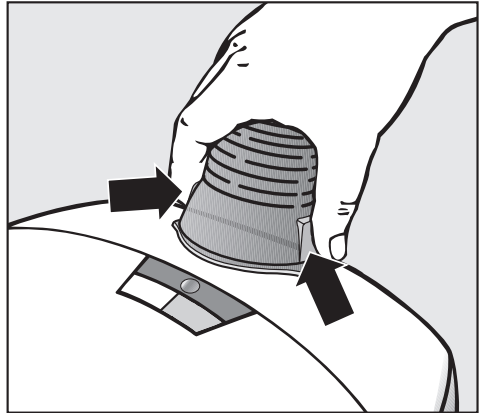
## Attaching the suction hose

- Insert the hose connector into the socket until it clicks into position.



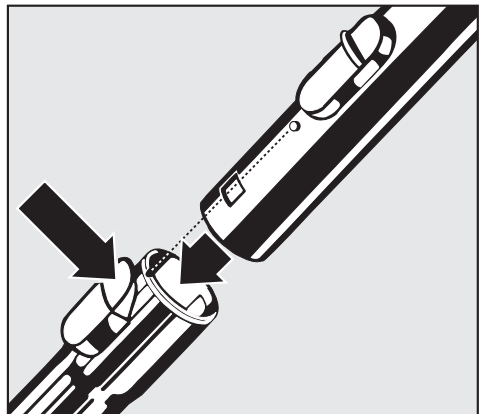
## Removing the suction hose from the cleaner

- Press the release buttons at the side of the hose connector, and lift the hose from the socket.



## Connecting the suction hose and the suction tube

- Insert the hand piece of the suction hose into the suction tube until it clicks into position. To do this, line up the guides on the two pieces.
- To release the hand piece from the suction tube, press the locking button (see arrow) and pull the hand piece away from the suction tube.

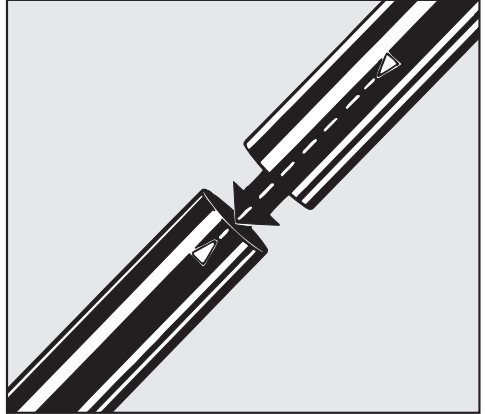


Your vacuum cleaner is fitted with one of the following suction tubes, depending on model:

- Connecting tubes
- 2-part telescopic tube

### Connecting the suction tube sections

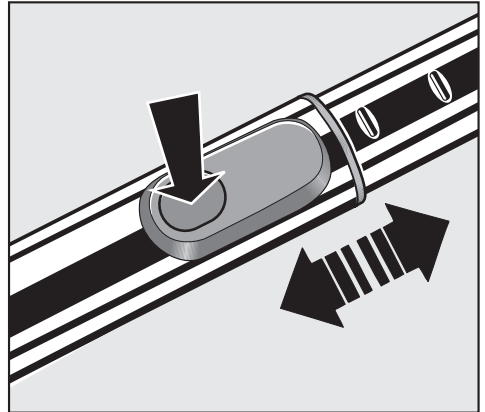
Both sections of the suction tube have locating arrows marked on them. When connecting the two sections, ensure that the two arrows point towards each other.



### Adjusting the 2-part telescopic suction tube

One part of this telescopic tube is packed inside the other and can be adjusted to suit your height for comfortable vacuum cleaning.

- Press the telescopic release button (see arrow) to release the tubes and adjust to the required height.



# Preparing for use

## Fitting the standard floorhead

- Push the suction tube into the floorhead and turn it clockwise or anti-clockwise until it clicks into position.
- To release the floorhead from the suction tube, press the locking button (see arrow) and pull the suction tube away from the floorhead.

The floorhead can be used for all normal cleaning of carpets and rugs. It can also be used with the brush protruding to vacuum hard flooring. For hard flooring, such as stone and parquet, we recommend using one of the special Miele floor brushes (see "Optional accessories").

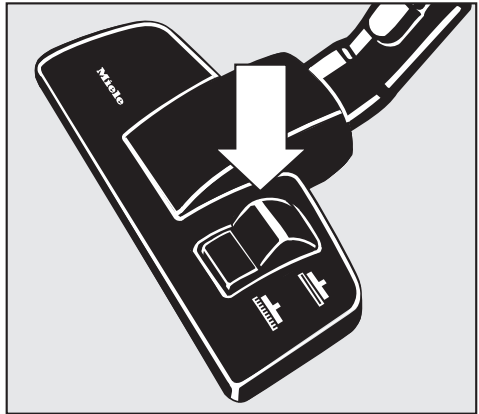
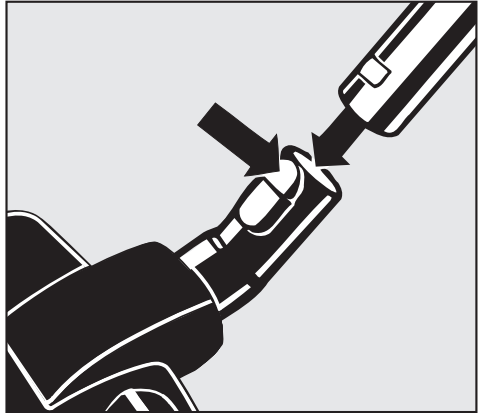
It is important to observe the flooring manufacturer's cleaning and care instructions.

Vacuum carpets and rugs with the brush retracted:

- Press the foot control .

Clean hard flooring which is not susceptible to scratching with the brush protruding:

- Press the foot control .



## Accessories supplied

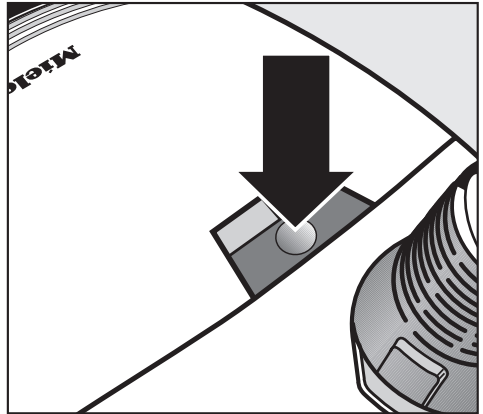
Other tools, in addition to the floorhead(s), are supplied with the vacuum cleaner to help deal with various types of cleaning.

- ① Crevice nozzle
- ② Dusting brush
- ③ Upholstery nozzle

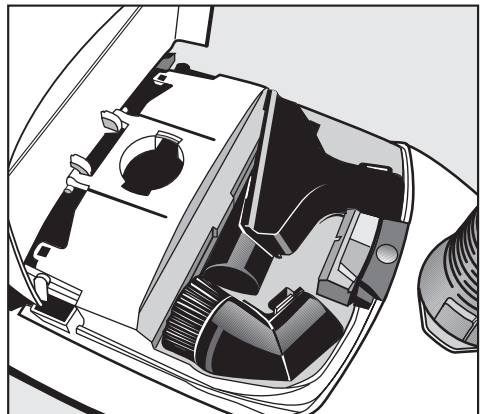


### Taking the accessories out

- Press the release button to open the accessories compartment lid.



- Take out the accessory you require.
- Press down firmly on the lid to close it.



## Using the accessories supplied

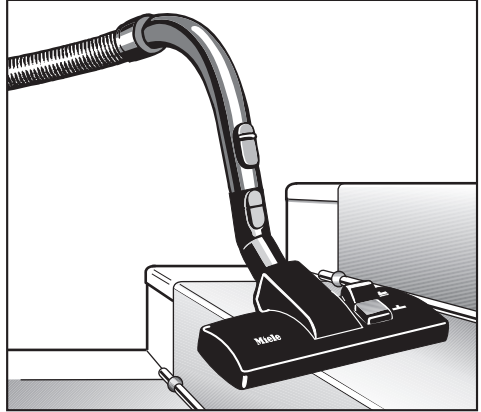
---

The different tools can either be fitted to the hand piece or to the suction tube, as required.

### Standard floorhead

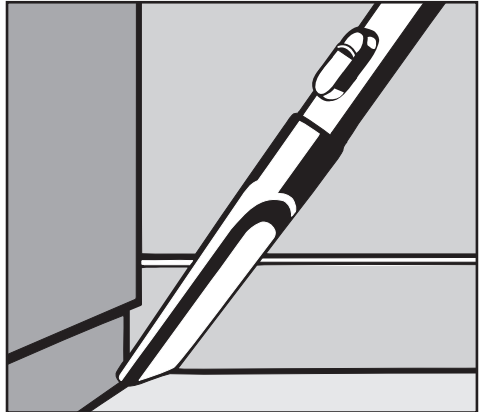
For general use and also for vacuuming stairs.

For safety reasons when vacuuming stairs it is best to start at the bottom of the stairs and move upwards.



### Crevice nozzle

For cleaning in folds, crevices or corners.



## Using the accessories supplied

---

### Dusting brush

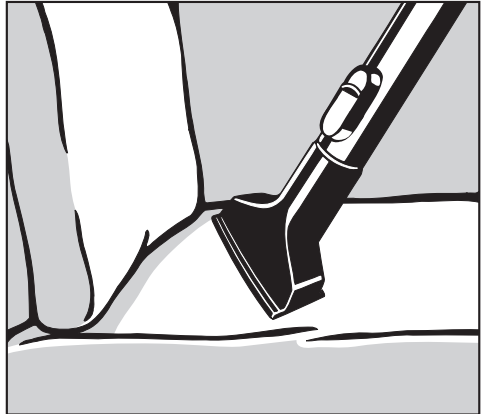
For cleaning skirting boards, ornate or carved articles, etc.

The head of the dusting brush can be swivelled to attain the best cleaning position.



### Upholstery nozzle

For cleaning upholstery, mattresses, cushions, curtains, covers etc.



# Use

## Mains cable

### Unwinding the cable

- Pull out the mains cable to the required length (max. approx. 6.5 m).

Warning: If vacuuming for longer than 30 minutes, the mains cable must be pulled out to its fullest extent. Otherwise there is a danger of overheating and damage.

### Rewinding the cable

- Switch off at the wall socket and remove the plug.
- Press the rewind foot switch. The cable will rewind automatically.

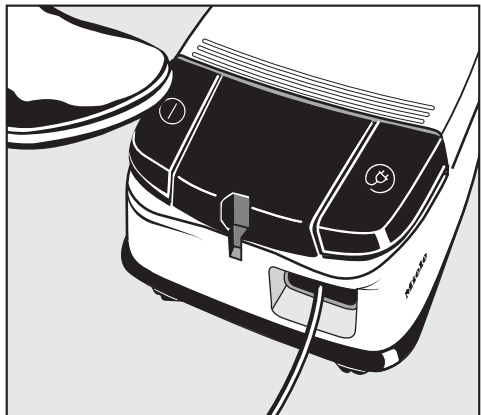
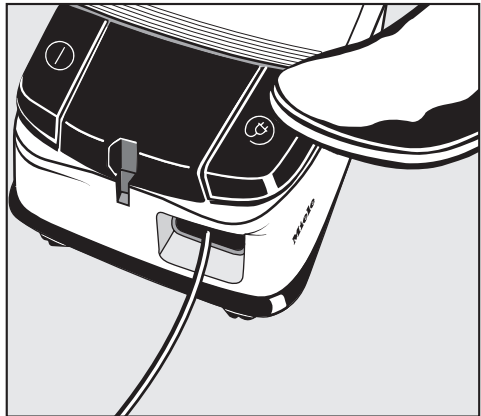
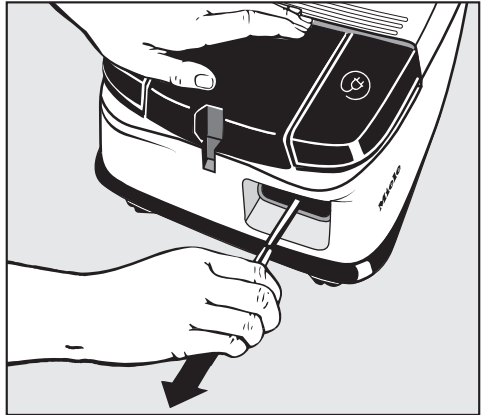
### Switching on and off

- Press the On/Off switch.

## Vacuuming

- When vacuuming, pull the cleaner behind you on its wheels. You can stand it upright for vacuuming stairs and curtains etc.

Warning: When vacuuming especially fine dust, e.g. sawdust, sand, plaster, flour, talcum powder etc., electrostatic charges build up naturally. Under certain conditions these charges will be released. To avoid the unpleasant effects of these discharges, a metal inlay has been incorporated into the underside of the handle. Make sure that you keep your hand in constant contact with this metal strip during vacuuming.



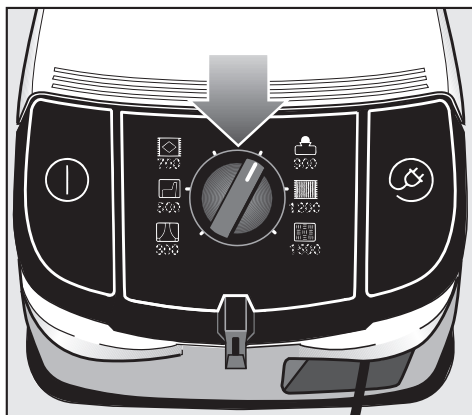
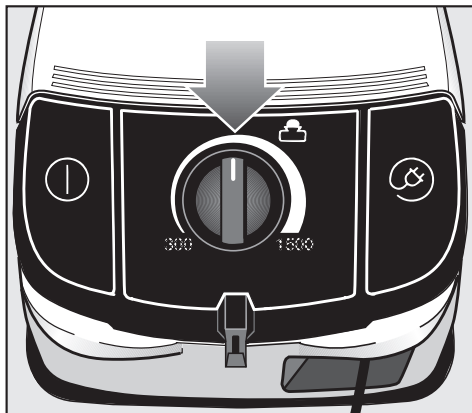


## Adjusting the suction power

The suction power can be regulated to suit the type of flooring. The higher the wattage, the more powerful the suction. Reducing the suction power reduces the amount of effort required to manoeuvre the floorhead.

Some models also have symbols on the controls which indicate the type of use the settings are suitable for:

-  - curtains, lightweight fabrics
-  - upholstery, cushions
-  - thick pile carpets, rugs and runners
-  - for energy-saving daily use
-  - lightly soiled rugs and fitted carpets
-  - heavily soiled hard flooring, and for intensive cleaning of carpets



## Rotary selector

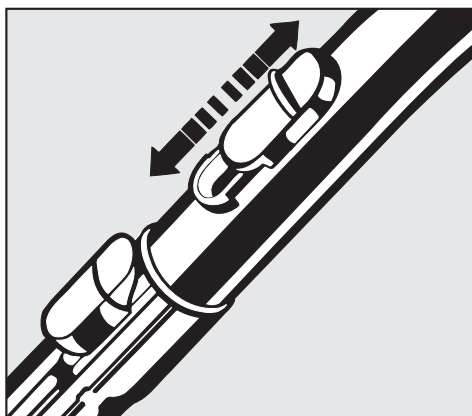
- Turn the suction power selector manually to the suction power setting you require.

## Opening the air inlet valve

It is easy to reduce the suction power for a short time, e.g. to prevent rugs or other objects being sucked into the vacuum cleaner.

- Open the air inlet valve far enough to reduce the suction power.

The floorhead will be easier to manoeuvre. Close the valve up again when you are ready to use full power again.

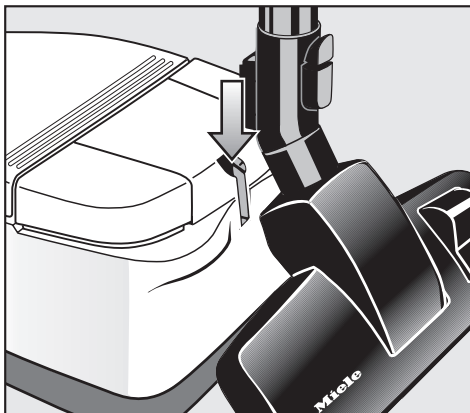


# Setting down, transportation and storage

## Parking system

A parking system has been designed for conveniently parking the vacuum cleaner during pauses.

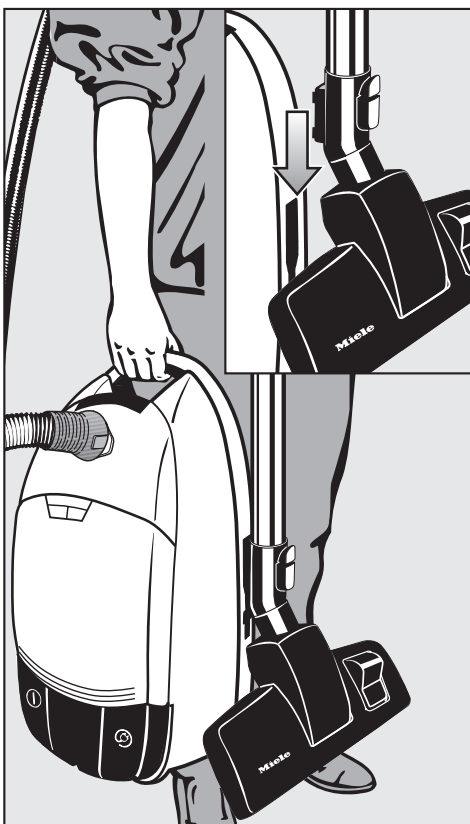
- Slot the floorhead into the parking attachment at the back of the vacuum cleaner.



## Transportation and storage

- Stand the vacuum cleaner upright when it is not being used and during storage.
- Slot the floorhead downwards into the parking attachment on the side of the cleaner.
- If your vacuum cleaner has a telescopic tube, retract it fully.

This makes the cleaner easier to carry or store.



Warning: Always disconnect the vacuum cleaner from the electrical supply for maintenance work and for cleaning. Switch off at the wall socket and remove the plug. If using the ACCU NOVA powerbrush, switch this off as well.

The Miele filter system consists of three filters which must be replaced from time to time to ensure that your vacuum cleaner performs efficiently.

- Dustbag
- Exhaust filter
- Dust compartment filter (for motor protection)

Warning: To ensure that your vacuum cleaner functions correctly, cleans hygienically and gives you many years of trouble-free operation, please only use genuine Miele approved dustbags and filters. The use of non-Miele approved dustbags and accessories could invalidate your warranty and cause damage to your product.

### Purchasing new dustbags and filters

Replacement dustbags and filters can be obtained from your local Miele retailer, the Miele Spare Parts Department (see back cover for contact details) or via the internet on [www.miele-shop.com](http://www.miele-shop.com).

### Ordering the correct dustbags and filters

When ordering dustbags for this vacuum cleaner, ask for bags with the code **F/J/M**.



A Super Air Clean filter and a dust compartment filter are supplied with every packet of Miele dustbags. If you wish to purchase exhaust filters or dust compartment filters separately, please quote the model number of your appliance when ordering to ensure you get the correct items.

You can replace the exhaust filter fitted in the vacuum cleaner with one of the other Miele exhaust filters if you wish (see "Optional accessories").

# Maintenance and care

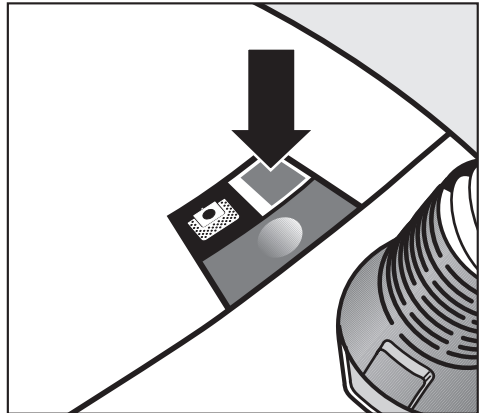
## When to change the dustbag

Change the dustbag when the colour marker in the dustbag change indicator fills the display, or sooner if it is no longer effective (see possible reasons for this below).

Miele dustbags are disposable, and designed for single use only. Do not attempt to re-use them as suction would be reduced.

### Checking the dustbag change indicator

- Attach the standard floorhead to the suction tube. Do not use any of the other floorheads or attachments as they will cause the dustbag change indicator to give a false reading.
- Switch the vacuum cleaner on and select the highest power setting.
- Lift the floorhead off the floor a little. If the marker completely fills the dustbag change indicator, you should replace the dustbag with a new one.



### How the dustbag change indicator works

The dustbag change indicator is set for normal household dust. Normal household dust would contain a mixture of dust, hair, carpet fluff, threads, grit etc.

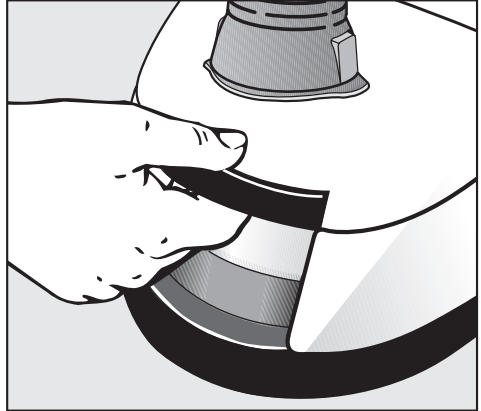
However, if the vacuum cleaner has been used to suck up fine dust, such as plaster, brick dust, cement or flour, the pores of the dustbag will become blocked very quickly. This affects the air permeability of the bag, and the marker will indicate that the bag is "full" even when it is not. If this happens you must still change the dustbag because suction power will be greatly reduced by blocked pores in the dustbag.

If, on the other hand, you have vacuumed up a lot of hair and carpet fluff which typically contains a lot of air, the indicator may fail to react even though the bag is full. You should still change it!

Both these extremes can occur.

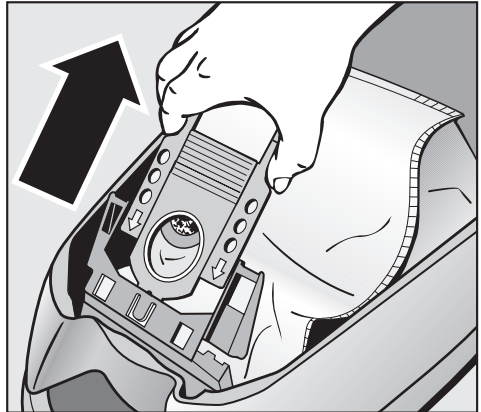
### Replacing the dustbag

- Press the release button for the dust compartment lid and raise the lid as far as it will go.

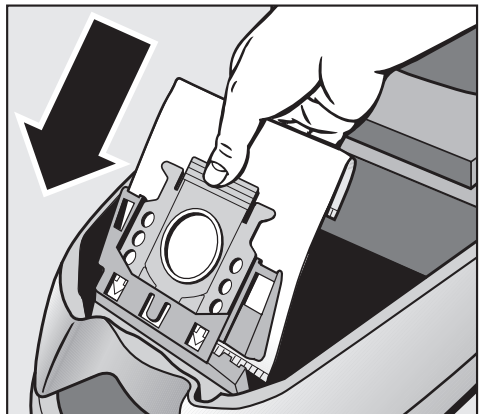


- To remove the dustbag, hold the bag by the collar and pull it out of its holder.

The dustbag has a closing flap which closes automatically when the dustbag is removed to prevent any dust escaping.



- Fit the new dustbag into the holder as far as it will go. Leave it folded up when you take it out of the box.
- Close the dust compartment lid securely, making sure it clicks into position. Take care not to trap the dustbag when doing so.



## Maintenance and care

### When to change the exhaust filter

Depending on the model, your vacuum cleaner will be fitted as standard with one of the following exhaust filters:

**a** a Super Air Clean filter,

Replace this filter every time you start a new packet of Miele dustbags. A Super Air Clean exhaust filter and a dust compartment filter are supplied with every packet of Miele dustbags.

**b** an Active Air Clean filter (black),

**c** an Active HEPA filter (blue).

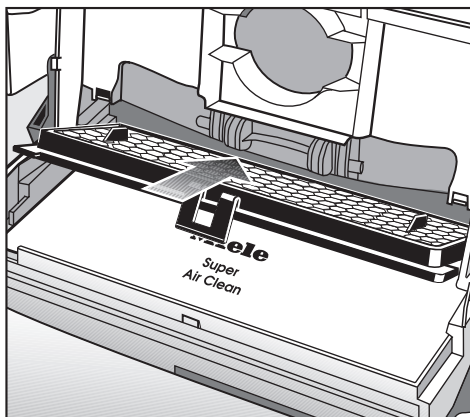
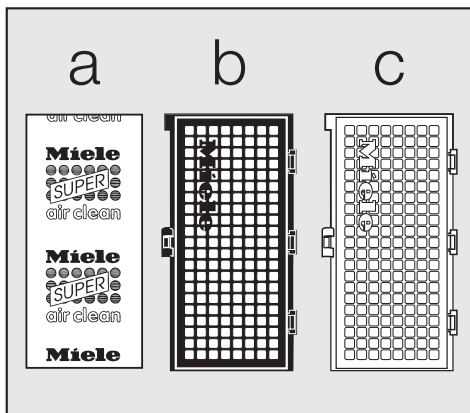
These types of filter need to be changed approx. once a year. Make a note of the date on the filter.

#### Please note

1. If you wish to replace the Super Air Clean filter **a** with an Active Air Clean filter **b** or an Active HEPA filter **c**, it is essential that you remove the filter grille before fitting the new type of filter.

2. If you wish to replace the Active Air Clean filter **b** or the Active HEPA filter **c** with a Super Air Clean filter **a**, then it is essential that you also fit a filter grille \*.

\* filter grille - see "Optional accessories"

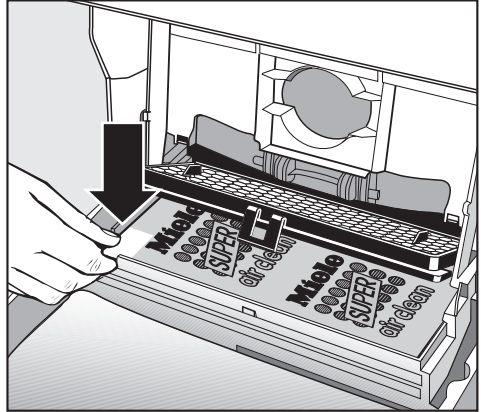


Do not use more than one exhaust filter at a time.

## Replacing the Super Air Clean filter

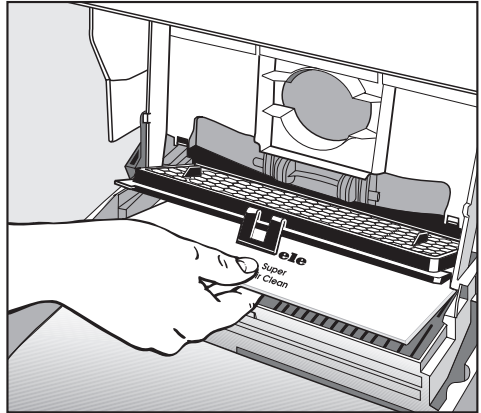
Do not use more than one exhaust filter at a time.

- Open the dust compartment lid.
- Release the filter grille and raise it upwards. Grasp the used Super Air Clean filter by the clean, unsoiled section (see arrow) and take it out.

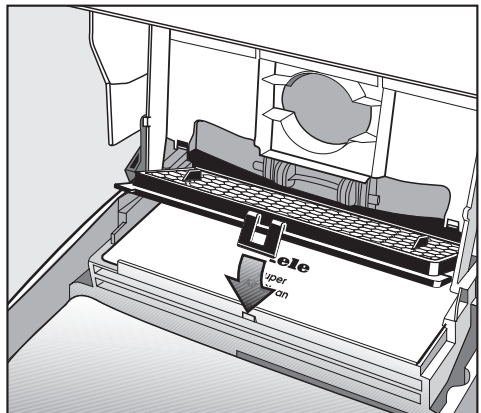


- Replace it with a new Super Air Clean filter.

If you wish to replace the Super Air Clean filter with an Active Air Clean filter or with an Active HEPA filter see "When to change the exhaust filter".



- Lower and secure the filter grille back in place.
- Close the dust compartment lid firmly. It should click into place.



## Maintenance and care

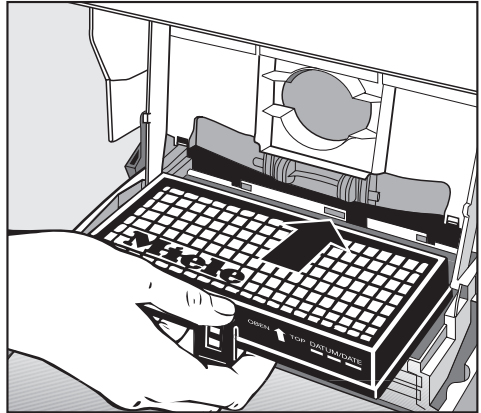
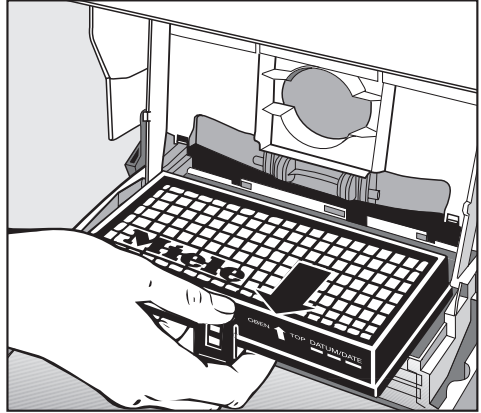
### Replacing an Active Air Clean filter or an Active HEPA filter

Do not use more than one exhaust filter at a time.

- Open the dust compartment lid.
- Release the catch and remove the filter.
- To insert the new filter, fit it so that it engages at the back and then close the catch.

If you wish to replace the Active Air Clean filter or the Active HEPA filter with a Super Air Clean filter see "When to change the exhaust filter".

- Close the dust compartment lid firmly. It should click into place.





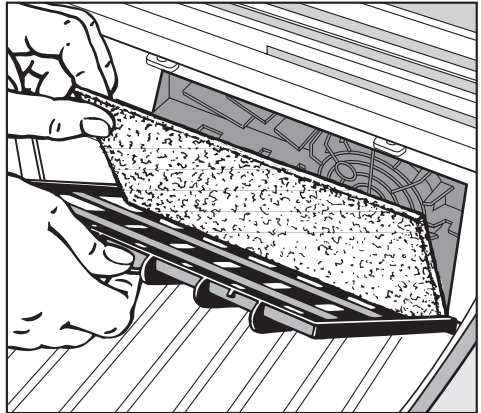
### When to change the dust compartment filter (for motor protection)

Replace this filter every time you start a new packet of dustbags.

A dust compartment filter is supplied with every packet of Miele dustbags.

### How to change the dust compartment filter

- Open the dust compartment lid.
- Unclip the filter frame, remove the old filter and replace with a new one.
- Close the filter frame.



# Maintenance and care

---

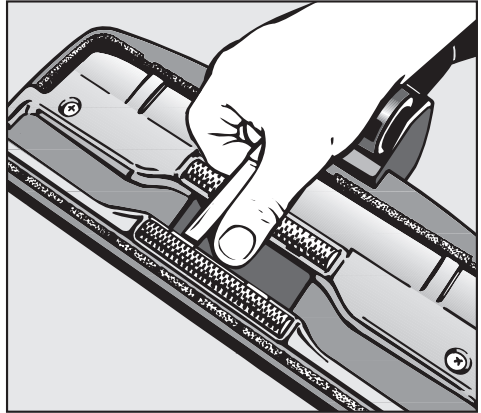
## When to change the thread lifters

The thread lifters on the suction inlet to the floorhead and the upholstery nozzle can be replaced.

Check them from time to time and replace them if the pile has worn down.

## To replace the thread lifters

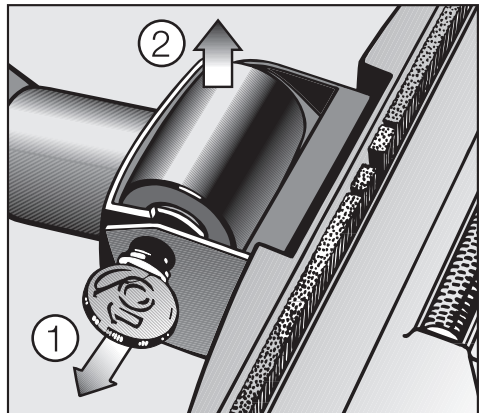
- Use a knife or similar object to remove them from the slots.
- Fit new thread lifters.



## If threads or hair have wound round the bearing on the floorhead roller

- ① Use a coin to release the bearing (bayonet connection) and then pull it out.
- ② Take out the roller.

Remove any threads and hair, then replace and secure the roller.



Warning: Always disconnect the vacuum cleaner from the electricity supply for maintenance work and for cleaning. Switch off at the wall socket and remove the plug. If using the ACCU NOVA powerbrush, switch this off as well.

### E-Cloth

A microfibre "E-Cloth" is available from the Miele UK Spare Parts Department, which is suitable for cleaning surfaces such as stainless steel, glass, plastic and chrome without the use of chemicals. It can be washed 300 times.

### Vacuum cleaner and accessories

External surfaces of the vacuum cleaner and of the accessories can be cleaned with a dry or a slightly damp cloth, or with a proprietary cleaner suitable for plastic.

Warning: Do not use abrasive cleaners, glass cleaners or all-purpose cleaners. Because of their chemical composition they could cause serious damage to plastic components.

### Dust compartment

The dust compartment can, if necessary, be cleaned using a **dry** duster, brush or, if available, a second vacuum cleaner to vacuum the dust out.

Warning: Do not let the vacuum cleaner get wet. If moisture gets into the appliance, there is a risk of electric shock.

# Problem solving guide / After sales service

---

## **The vacuum cleaner switches off automatically.**

A temperature limiter switches the vacuum cleaner off automatically if it gets too hot.

This can occur if, for instance, large articles block the suction tube or when the filter bag is full or contains particles of fine dust. A heavily soiled exhaust or dust compartment filter can also be the cause of overheating. Switch the vacuum cleaner off immediately using the On/Off switch. Disconnect from the electricity supply. Switch off at the wall socket and remove the plug.

After removing the cause, wait for approx. 20 - 30 minutes to allow the vacuum cleaner to cool down. It can then be switched on again.

## **After sales service**

In the event of a fault that you cannot easily remedy, please contact

- your Miele Dealer, or
- the nearest Miele Service Department (see address on back page).

Please note that telephone calls may be monitored and recorded for training purposes.

Miele accessories including floorheads, filters and dustbags are available to order from your local Miele retailer, the Miele Spare Parts Department or via the internet on [www.miele-shop.com](http://www.miele-shop.com).

Certain models are supplied as standard with one or more of the following accessories:

Important: please observe the flooring manufacturer's cleaning and care instructions.

### **ACCU NOVA -3 rechargeable powerbrush**

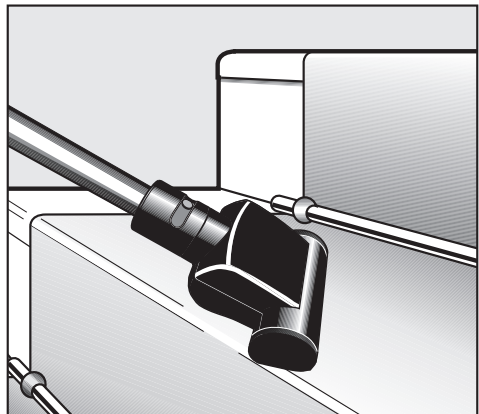
The ACCU NOVA floorhead is driven by a battery-operated motor, and is particularly suitable for the intensive cleaning of heavily soiled textile floor surfaces. It is very effective at removing deep seated dirt and preventing areas of frequent use being trodden into a path.

### **Turbobrush -3**

The Turbobrush is particularly suitable for vacuuming cut-pile carpeting, and is operated by the suction power of the vacuum cleaner. It has a rotating brush and is very effective at picking up thread, hairs and fluff.

### **Hand-held Turbobrush**

The hand-held Turbobrush is intended for vacuuming upholstery, mattresses, car seats, carpeted stairs and other areas inaccessible to the standard Turbobrush.



## Optional accessories

---

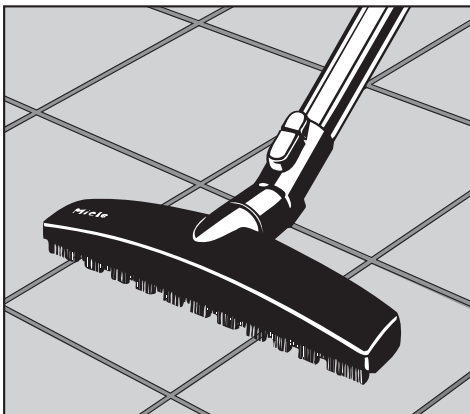
### **ALLERGOTEC -3 floorhead**

The level of cleanliness of the floor shows in a colour "traffic light" display when vacuuming. The ALLERGOTEC floorhead is designed specially for the daily hygienic cleaning of all floor surfaces.



### **Hard floor brush -3**

This brush is designed for use on hard flooring such as tiled or stone floors.



### **Parquet floor brush -3**

This brush has natural bristles and is designed for use on parquet floors and other surfaces which are susceptible to scratching such as laminate flooring.

The parquet floor brush can be cleaned with the vacuum cleaner using the crevice nozzle if necessary.



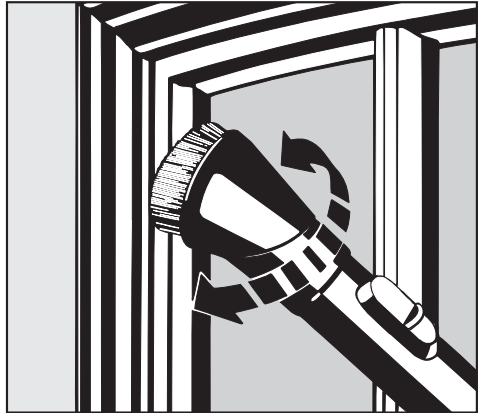
### Universal brush

For dusting books, shelves, etc.



### Dusting brush with natural bristles

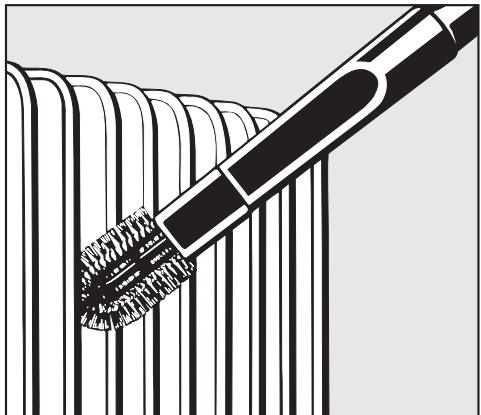
This brush is suitable for particularly delicate objects.



### Radiator brush

(Can only be used if attached to the crevice nozzle).

For cleaning radiators, narrow shelves and crevices.



## Optional accessories

---

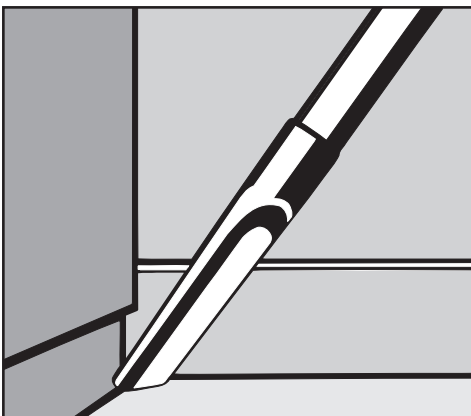
### Mattress nozzle

For cleaning upholstery, mattresses, cushions, curtains, covers etc.



### Crevice nozzle (300 mm)

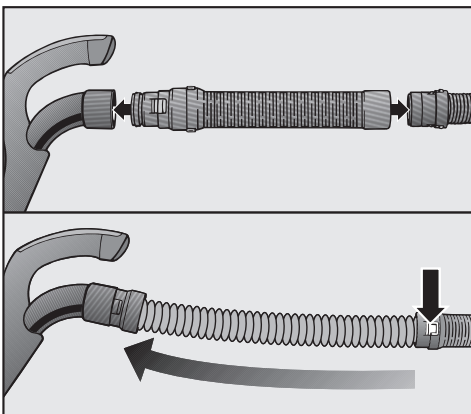
For cleaning in folds, crevices or corners.



### Hose adapter

For extending the suction hose by approx. 1.5 m.

The adapter is fitted between the hand piece and the suction hose.

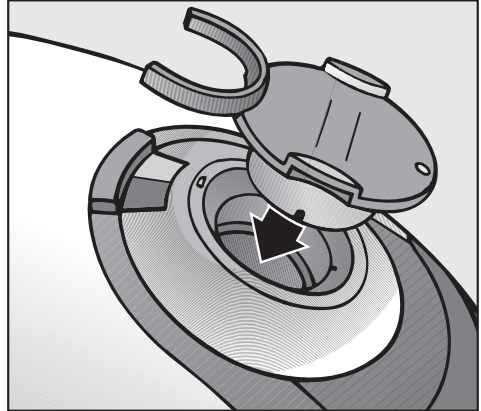




### Hygiene seal with active charcoal

This prevents dust and odours from escaping when the suction hose is removed for transportation or storage.

It can be secured to the suction hose during vacuuming.

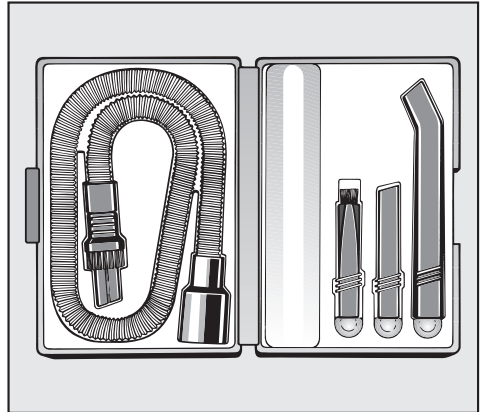


### Micro Set

This set is specially designed for cleaning small objects and difficult to reach areas (such as PC keyboards, stereo equipment, intricately carved furniture and ornaments, models etc).

It consists of:

- Micro-hose with combination nozzle (crevice nozzle and dusting brush)
- Micro dusting brush
- Micro crevice nozzle
- Angled extension



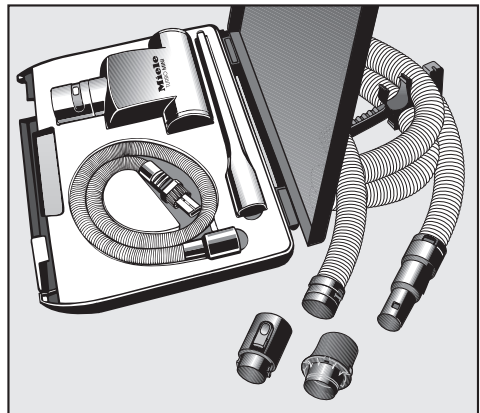
### CarClean Set Plus

The CarClean Set Plus has been designed as an accessory for Miele cylinder vacuum cleaners for valeting the interior of cars.

It consists of:

- Hand-held Turbobrush
- Micro-hose with combination nozzle (crevice nozzle and dusting brush)
- Crevice nozzle (300 mm)

These are supplied in a carry case together with a 3 m long suction hose with hose clip.



## Optional accessories

### Active Air Clean filter

A special active charcoal filter, which removes odours coming from the dirt in the dustbag, keeping unpleasant lingering smells to a minimum.

The Active Air Clean filter replaces the filter fitted in the vacuum cleaner.

There is no difference in the filtration levels between the Active Air Clean filter and the Super Air Clean filter.

### Active HEPA filter

A combination filter which complies to the requirements of EN 1822 HEPA Classification 12. It is able to filter out very fine particles and micro-organisms. The active charcoal layer absorbs odours from the dust collected in the dustbag.

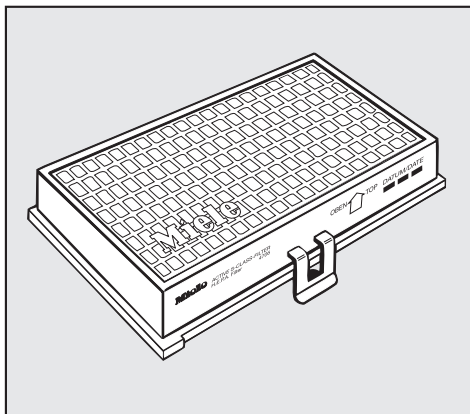
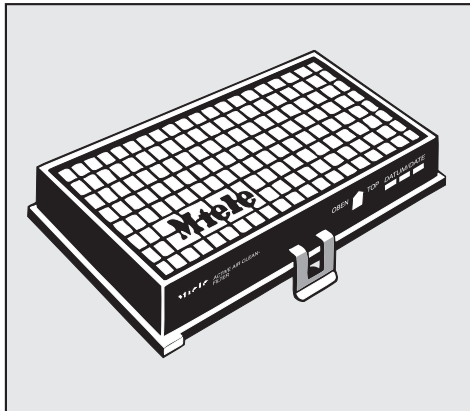
This filter is especially appropriate for allergy sufferers and users requiring exceptional standards of hygiene.

The Active HEPA filter replaces the filter fitted in the vacuum cleaner.

Do not use aroma capsules in your cleaner if you use either of these filters. The charcoal in them will absorb their aroma, rendering them ineffective.

### Filter grille

The filter grille is required if you wish to fit a Super Air Clean filter instead of an Active Air Clean filter or an Active HEPA filter (see "Maintenance and care - When to change the exhaust filter").



All electrical work should be carried out by a suitably qualified and competent person in strict accordance with current national and local safety regulations (BS 7671 in the UK).

The voltage and connected load are given on the data plate located underneath the vacuum cleaner. Please ensure that these match the household mains supply. The fuse rating is quoted on the plug.

The appliance is supplied with a cable and moulded plug ready for connection to a 230-240 V/50 Hz a.c. single phase supply.

### **Non-rewireable plugs BS 1363**

The fuse cover must be re-fitted when changing the fuse, and if the fuse cover is lost the plug must not be used until a suitable replacement is obtained. The colour of the correct replacement cover is that of the coloured insert in the base of the plug, or the colour that is embossed in words on the base of the plug, (as applicable to the design of plug fitted).

Replacement fuses should be ASTA approved to BS1362 and have the correct rating. Replacement fuses and fuse covers may be purchased from your local electrical supplier.



## **United Kingdom**

Miele Co. Ltd.  
Fairacres, Marcham Road  
Abingdon, Oxon, OX14 1TW  
Tel: (01235) 554455  
Fax: (01235) 554477  
Customer Contact Centre Tel: (08707) 554466  
E-mail: [info@miele.co.uk](mailto:info@miele.co.uk)  
Internet: [www.miele.co.uk](http://www.miele.co.uk)

## **Australia**

Miele Australia Pty. Ltd.  
A.C.N. 005635398  
1 Gilbert Park Drive, Knoxfield, VIC 3180  
Tel: (03) 9764 7130  
Fax: (03) 9764 7149  
Internet: [www.miele.com.au](http://www.miele.com.au)

## **China**

Miele Shanghai Rep. Office  
Room 4105 - 6, 41 Floor  
Plaza 66, 1266 Nan-Jing Road/ West  
Shanghai 200040  
Tel: +86 21 6288 4200  
Fax: +86 21 6288 4100  
E-mail: [mieleshanghai@cn.miele.com](mailto:mieleshanghai@cn.miele.com)  
Internet: [www.miele.cn](http://www.miele.cn)

## **Hong Kong**

Miele (Hong Kong) Limited  
AIA Plaza, 24 Floor  
18 Hysan Avenue  
Causeway Bay  
Tel: +852- 2610-1331  
Fax: +852-2610-1013  
E-mail: [mielehk@miele.com.hk](mailto:mielehk@miele.com.hk)  
Internet: [www.miele.hk](http://www.miele.hk)

## **Ireland**

Miele Ireland Ltd.  
Broomhill Road, Tallaght, Dublin 24  
Tel: (01) 461 0710  
Fax: (01) 461 07 97  
E-Mail: [info@miele.ie](mailto:info@miele.ie)  
Internet: [www.miele.ie](http://www.miele.ie)

## **New Zealand**

Miele New Zealand Limited  
Unit L, 10-20 Sylvia Park Road  
Mt. Wellington, 1060, Auckland, NZ  
Tel: 0800 264353  
Fax: 0800 463453  
Internet: [www.miele.co.nz](http://www.miele.co.nz)

## **South Africa**

Miele (Pty) Ltd  
63 Peter Place, Bryanston 2194  
P.O. Box 69434, Bryanston 2021  
Tel: +27 (0) 11 548-1900  
Fax: +27 (0) 11 548-1935  
E-mail: [info@miele.co.za](mailto:info@miele.co.za)  
Internet: [www.miele.co.za](http://www.miele.co.za)

## **Singapore**

Miele Southeast Asia  
Miele Pte. Ltd.  
163 Penang Road  
# 04 - 02/03 Winsland House II  
Singapore 238463  
Tel: +65 6735 1191  
Fax: +65 6735 1161  
E-Mail: [infosea@miele.com.sg](mailto:infosea@miele.com.sg)  
Internet: [www.miele.sg](http://www.miele.sg)

## **United Arab Emirates**

Miele Appliances Ltd.  
P.O. Box 11 47 82  
Gold & Diamond Park  
Sheikh Zayed Road  
Building 6 / Offices Nos. 6-214 to 6-220  
Dubai  
Tel: +971-4-341 84 44  
Fax: +971-4-341 88 52  
E-Mail: [info@miele.ae](mailto:info@miele.ae)  
Internet: [www.miele.ae](http://www.miele.ae)